

# Parts Catalog



**Model G14**

## SLICING MACHINES

MODEL: G14

10-25-11

IMPORTANT!

TO EXPEDITE SHIPMENT OF PARTS, ALWAYS SPECIFY MODEL, REV,  
PART NUMBER, AND SERIAL NUMBER OF SLICER.

### GLOBE FOOD EQUIPMENT COMPANY

2215 East River Road  
Dayton, Ohio 45439

#### Parts Department

Toll Free 1-800-745-6238 • Fax (937) 290-0585

E-Mail: [globeinfo@globeslicers.com](mailto:globeinfo@globeslicers.com)

Website: [www.globeslicers.com](http://www.globeslicers.com)

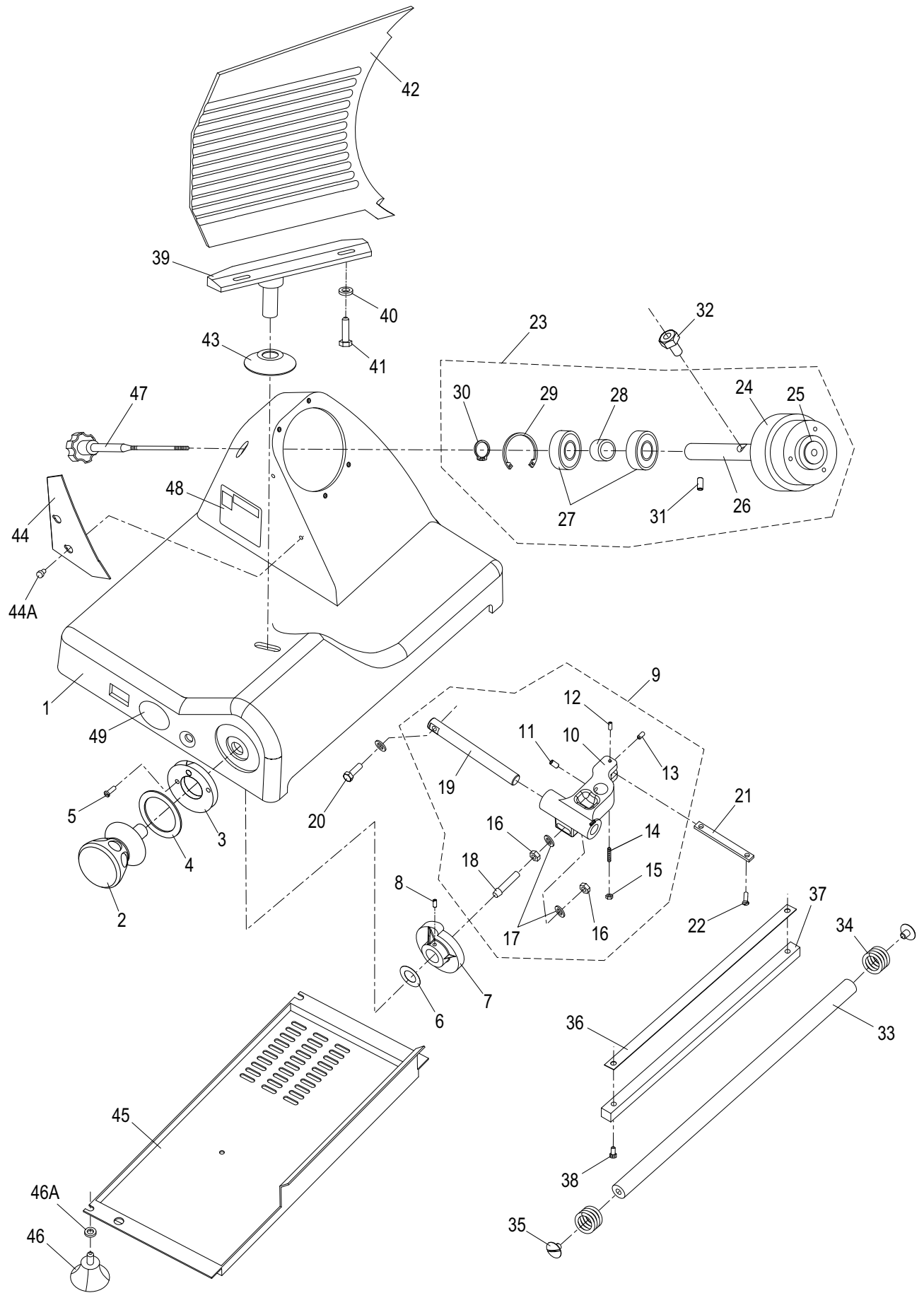
Not for resale



# TABLE OF CONTENTS

	PAGE
<u>BASE</u>	<u>1 - 2</u>
<u>CHUTE COMPONENTS</u>	<u>3</u>
<u>ELECTRICAL COMPONENTS</u>	<u>4</u>
<u>KNIFE &amp; SHARPENER COMPONENTS</u>	<u>5</u>
<u>WIRING DIAGRAM</u>	<u>6</u>

# G14 SLICER BASE COMPONENTS

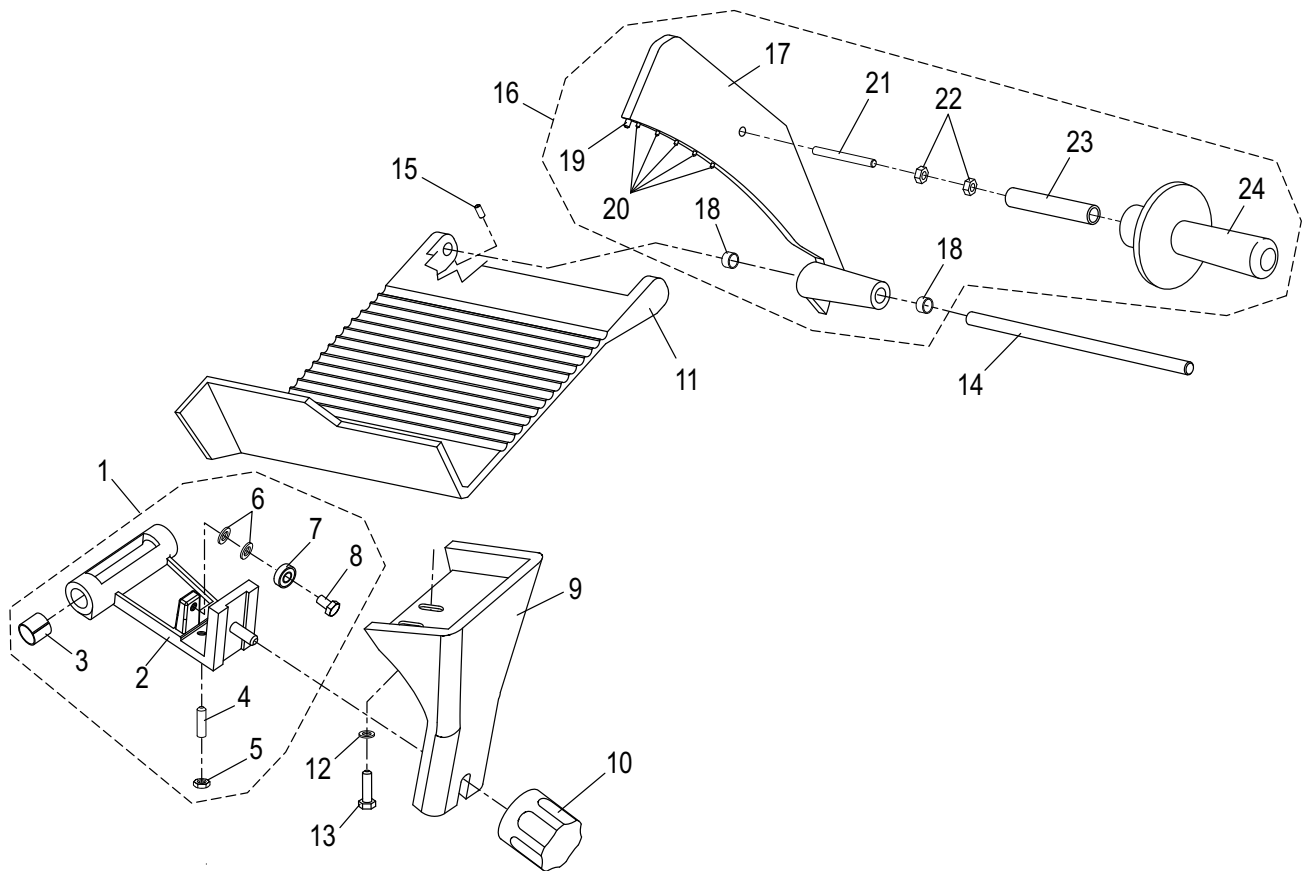


# G14 SLICER BASE PARTS LIST

ITEM	DESCRIPTION	PART NUMBER	QTY
1	Slicer Base	-	1
2	Table Adjustment Knob	MCB28	1
3	Table Adjustment Ferrule	MB28/1	1
4	Washer, Table Adjustment Ferrule	MB28/2	1
5	Screw	M4 x 10	2
6	Wavy Washer	MB32	1
7	Table Adjustment Cam	MB33	1
*8	Set Screw	M5x10 Dog Pt	2
9	Table Slide Assembly (Item 6-19)	MR9A	1
10	Table Slide	-	1
*11	Set Screw	M8x10	2
*12	Stud, threaded	M5x10	1
*13	Set Screw	M4x6 Cup Pt	1
*14	Stud, Threaded	M5x20	1
*15	Nut	YD5	1
*16	Nut	YD8	2
*17	Flat Washer	D8	2
18	Stud, Cam Actuator	MB34	1
19	Rod, Table Slide	MR36	1
*20	Screw, Hex Head	M6x20	1
21	Plate, Table Slide	MB35	1
*22	Screw, Pan Head	M5x10	2
23	Knife Hub Assembly (Item 21-26)	MS12/2A	1
24	Knife Pulley	-	1
25	Oil Seal	MS12/7	1
26	Shaft, Knife Pulley	-	1
27	Bearing	MC12/3	2
28	Bushing (Spacer)	MF12/4	1
*29	Retaining Ring, Internal	47mm DIN 472	1
*30	Retaining Ring, External	20mm DIN 471	1
*31	Set Screw, Knife Shaft	M6x13 Cup Pt	2
32	Bolt, Microswitch Mounting	MCR61	1
33	Slide Bar, Round	ME26	1
34	Spring, Slide Bar	ME27	2
35	Screw	ME25	2
36	Wear Strip, Square Slide Bar	ME31/1	1
37	Slide Bar, Square	ME31	1
*38	Cap Screw, Socket Head	M6x20	2
39	Table Support	MS2	1
*40	Flat Washer	D8	2
*41	Screw, Hex Head	M8x30	2
42	Table	MG3	1
43	Cover, Hole - Base	MB82/1	1
44	Knife Wiper	MS22	1
*44A	Thumb Screw, Knife Wiper	M5x10	2
45	Cover, Bottom	MS64	1
46	Foot	MR24	4
*46A	Flat Washer		4
47	Knife Cover Release Knob	MS15	1
48	Label, Warning	M91022	1
†49	Label, Logo	-	1
50	Data Plate (Not shown)	-	1

\* Standard hardware. †Part not sold by Globe Food Equipment.

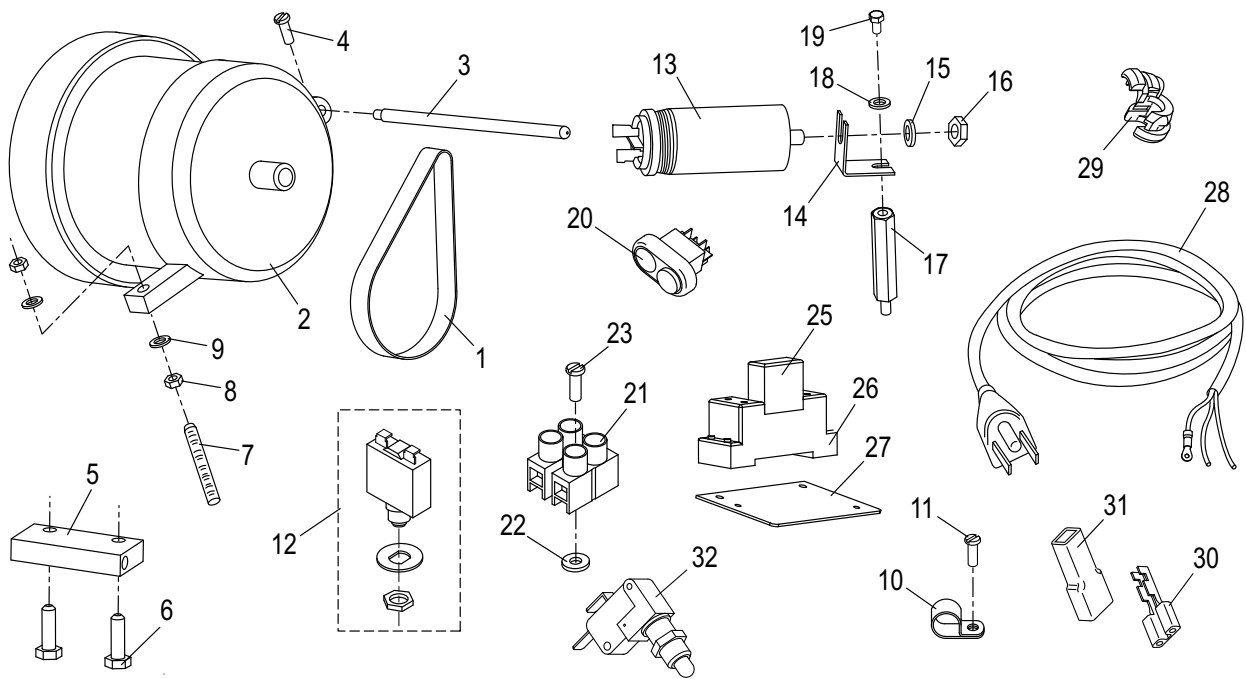
# G14 CHUTE COMPONENTS



ITEM	DESCRIPTION	PART NUMBER	QTY
1	Chute Slide Assembly (Item 2-8)	MS8A	1
2	Chute Slide	-	1
3	Bushing, Chute Slide Assembly	ME8/2	2
4	Stud	MS30	1
*5	Nut	8MA	1
*6	Flat Washer	D8	2
7	Bearing	MB29	1
*8	Screw, Hex Hd	M8x20	1
9	Chute Support	MS5	1
10	Chute Support Knob	MCB42	1
11	Chute	MC6/1USA	1
*12	Flat Washer, Chute Mounting	D8	2
*13	Screw, Chute Mounting - Hex Head	M8x20	2
14	Rod, End Weight	MC37	1
*15	Set Screw, End Weight Rod	M5x6 Cup Pt	1
16	End Weight Assembly (Item 17-24)	MC7A	1
17	End Weight	-	1
18	Bushing, End Weight	MB7/1	2
19	Spacer, End Weight	MC39	1
20	Prong, End Weight	MR38	22
*21	Stud, Endweight Handle	M10x100	1
*22	Nut, Handle Extension	10MA	2
†23	Tube, Handle Extension	-	1
24	Handle, End Weight	MCC40/1	1

\* Standard hardware. †Part not sold by Globe Food Equipment.

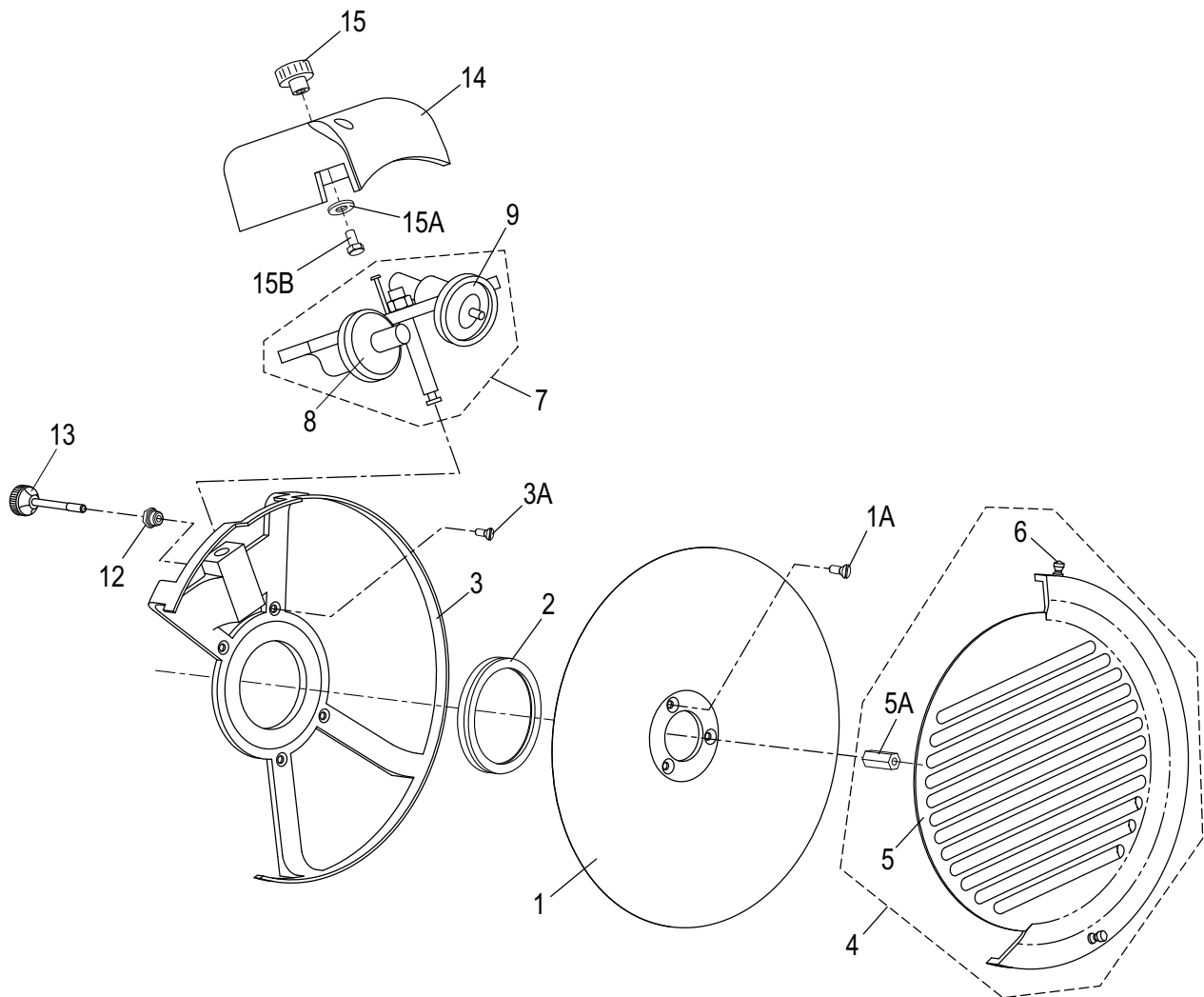
# G14 ELECTRICAL COMPONENTS



ITEM	DESCRIPTION	PART NUMBER	QTY
1	Drive Belt	MS51	1
2	Knife Motor	MS43/1	1
3	Post, Motor Pivot	MB52/1	1
*4	Screw	M4x10	2
5	Motor Adjustment Block	-	1
*6	Screw		2
*7	Stud	M6x50	1
*8	Nut	M6	2
*9	Flat Washer	D6	2
10	Cable Clamp	M037	1
*11	Screw, Cable Clamp Mounting	M5x10	1
12	Switch, Motor Reset	MK7004	1
13	Start Capacitor, 30 $\mu$ f	MB54/3	1
†14	Bracket, Capacitor Mounting	-	1
*15	Washer	D8	1
*16	Nut	M8	1
*17	Standoff	M5 x 60	1
*18	Flat Washer	D5	1
*19	Screw	M5 x 10	1
20	Power Switch	MCR69	1
**20A	Boot, Power Switch	MCR59	1
21	Terminal Block	MB80/2	1
*22	Flat Washer	D5	1
*23	Screw, Terminal Block Mounting	M4 x 20	1
*24	Screw, Relay Mounting (Not shown)	M4 x 20	1
25	Relay	MCR75	1
26	Relay Mount	MCR76	1
†27	Plate, Relay Mounting	-	1
28	Power Cord & Plug	MB65/4	1
29	Strain Relief	MR80	1
*30	Terminal, Female, 1/4 fem QD	-	8
†31	Terminal Insulator	-	8
32	Microswitch	MB62	1
*33	Screw, Ground (Green, not shown)	M5x8	1

\* Standard hardware. \*\*Starting S/N 900096. †Not sold by Globe Food Equip.

# G14 KNIFE AND SHARPENER COMPONENTS



ITEM	DESCRIPTION	PART NUMBER	QTY
1	Knife	MG13	1
*1A	Screw, Flat Head - Knife Mounting	M5x14	3
2	Motor Seal	MS77/5	1
3	Knife Rim Guard	MS14/1	1
*3A	Screw, Flat Head - Rim Guard Mounting	M4x10	4
4	Knife Cover Assembly (Items 6 - 7)	MI4A	1
†5	Knife Cover	-	1
5A	Stud, Knife Cover	M049A	1
6	Knife Cover Knob	MC003	2
7	Knife Sharpener Assembly	MC17A	1
8	Deburring Stone	MB18	1
9	Sharpening Stone	MC17	1
*10	Flat Washer, Stone Mounting (Not Shown)	D6	2
*11	Jam Nut, Stone Mounting (Not Shown)	M6	4
†12	Stud, Knife Ring Guard	-	1
13	Knob, Sharpener Adjustment	MB21	1
14	Sharpener Cover	MR11	1
15	Knob, Sharpener Cover	M075	1
15A	Flat Washer	D6	1
15B	Screw, Hex Head	M6x15	1

\* Standard hardware. †Part not sold by Globe Food Equipment.



# G14 WIRING DIAGRAM - 115V, 50/60/Hz, 1 PH

